

#FERGUSON HOME

806 FONTAINE STREET
STEPHEN MORRIS
P O BOX 30113 504 KENTUCKY AVE
ALEXANDRIA, VA 22310

fergusonhome.com

APPLIANCES



JennAir JFFCF72DKM

Noir 36 Inch Wide 21.9 Cu. Ft. French Door Refrigerator with TriSensor Electronic Climate Control



JennAir JGRP548HM

Noir 48 Inch Wide 6.3 Cu. Ft. Free Standing Gas Range



JennAir JDAF5924RM

Noir 24 Inch Wide 14 Place Setting Built-In Top Control Dishwasher with 38 dB Rating



JennAir JMDFS24HM

24 Inch Wide 1.2 Cu. Ft. 950 Watt Drawer Microwave with One Touch Access and Sensor Cooking

Items In APPLIANCES	Spec Sheets
JennAir JFFCF72DKM Listed in multiple groups; documents appear with APPLIANCES.	✓
JennAir JGRP548HM Listed in multiple groups; documents appear with APPLIANCES.	✓
JennAir JDAF5924RM Listed in multiple groups; documents appear with APPLIANCES.	✓
JennAir JMDFS24HM Listed in multiple groups; documents appear with APPLIANCES.	✓

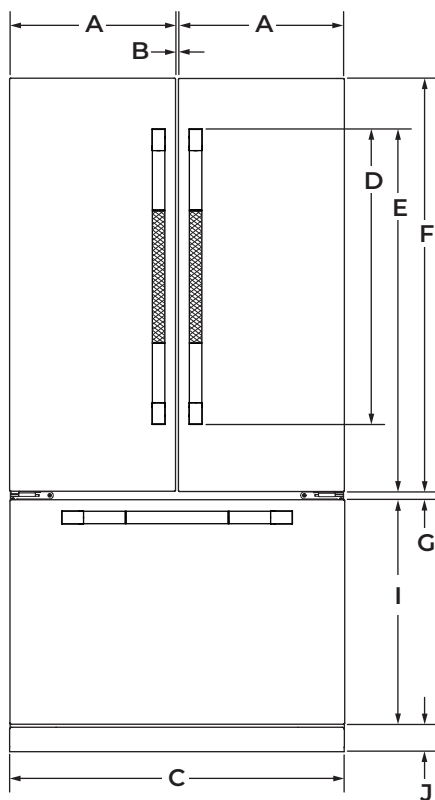


72" COUNTER-DEPTH FRENCH DOOR REFRIGERATOR WITH INTERNAL DISPENSER

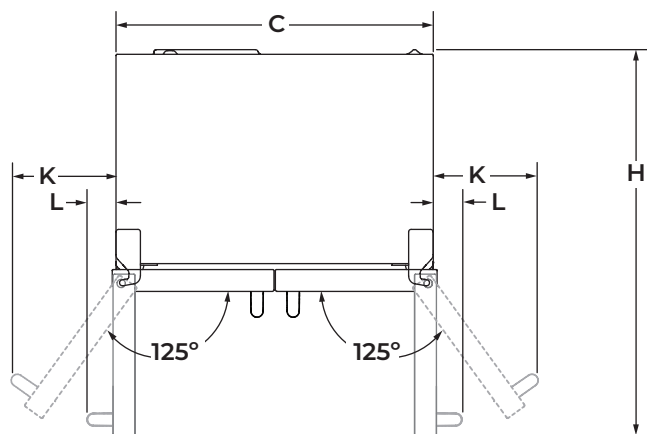
DETAILED PLANNING DIMENSIONS GUIDE

JFFCF72DKL – 35⁵/₈" (W) x 71⁷/₈" (H) x 30¹/₂" (depth with handles)

PRODUCT DIMENSIONS



FRONT VIEW



TOP VIEW

DIMENSION	DESCRIPTION	JFFCF72DKL
A	Width of each door	17 ⁵ / ₈ " (44.8 cm)
B	Space between doors	3/8" (9 mm)
C	Overall width	35 ⁵ / ₈ " (90.5 cm)
D	Height of door handles (RISE™)	32 ³ / ₄ " (83.2 cm)
E	Height to top of door handles (RISE™)	38" (96.5 cm)
F	Height of doors	44 ¹ / ₈ " (112.1 cm)
G	Space between doors and drawer	1" (2.5 cm)
H	Depth with doors open 90°	44" (111.8 cm)
I	Height of drawer	23 ⁷ / ₈ " (60.6 cm)
J	Height of grille	2 ⁷ / ₈ " (7.3 cm)
K	Width from side of refrigerator to handle – door fully open 125° (RISE™)	11" (28 cm)
L	Width from side of refrigerator to handle – door open 90° (RISE™)	3 ³ / ₈ " (8.6 cm)

Because Whirlpool Corporation policy includes a continuous commitment to improve our products, we reserve the right to change materials and specifications without notice.

Dimensions are for planning purposes only. For complete details, see Installation Instructions packed with product. Specifications subject to change without notice.

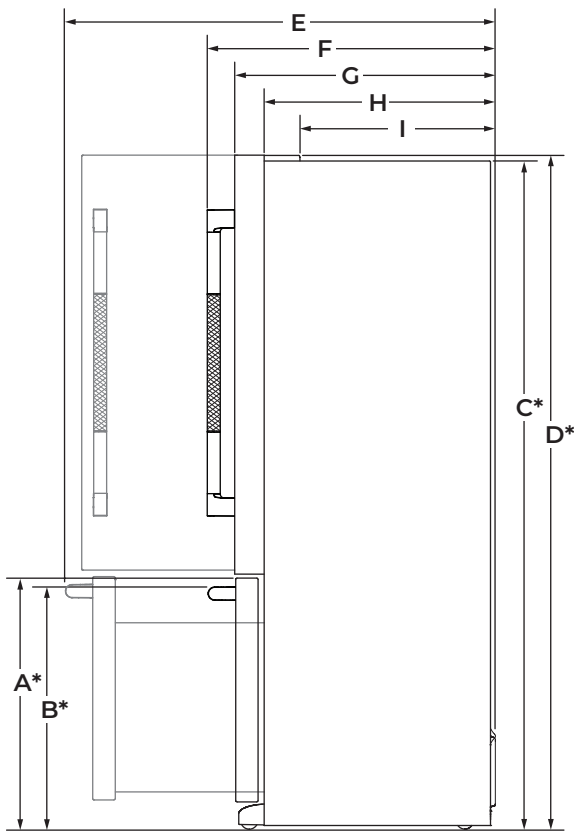


72" COUNTER-DEPTH FRENCH DOOR REFRIGERATOR WITH INTERNAL DISPENSER

DETAILED PLANNING DIMENSIONS GUIDE

JFFCF72DKL – 35⁵/₈" (W) x 71⁷/₈" (H) x 30¹/₂" (depth with handles)

PRODUCT DIMENSIONS (CONT.)



SIDE VIEW

DIMENSION	DESCRIPTION	JFFCF72DKL
A*	Height to top of drawer (min.)	26 ³ / ₄ " (67.9 cm)
B*	Height to top of drawer handle (min.)	25 ³ / ₄ " (65.4 cm)
C*	Height of recessed refrigerator (min.)	71 ¹ / ₄ " (181 cm)
D*	Height to top of hinges (min.)	71 ⁷ / ₈ " (182.6 cm)
E	Depth with drawer fully open including drawer handle (min.)	44 ⁵ / ₁₆ " (112.5 cm)
F	Depth with handles (min.)	30 ¹ / ₂ " (77.5 cm)
G	Depth with doors (min.)	27 ⁵ / ₈ " (70.2 cm)
H	Depth without doors (min.)	24 ¹ / ₂ " (62.2 cm)
I	Depth to back of hinges (min.)	20 ⁵ / ₈ " (52.4 cm)

*Add 3/4" (1.9 cm) to the height dimension when leveling legs are fully extended.

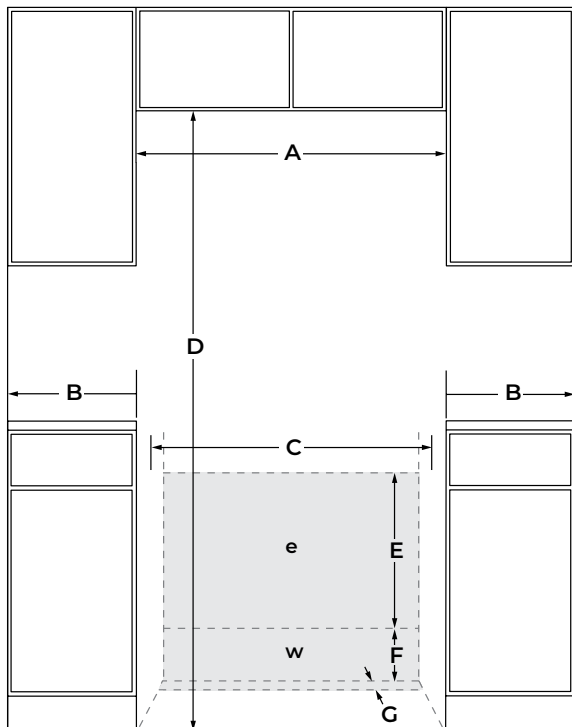


72" COUNTER-DEPTH FRENCH DOOR REFRIGERATOR WITH INTERNAL DISPENSER

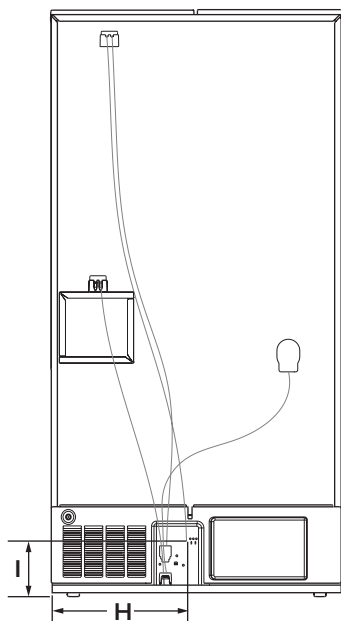
DETAILED PLANNING DIMENSIONS GUIDE

JFFCF72DKL – 35⁵/₈" (W) x 71⁷/₈" (H) x 30¹/₂" (depth with handles)

OPENING/CLEARANCE DIMENSIONS



FRONT VIEW




BACK VIEW

DIMENSION	DESCRIPTION	JFFCF72DKL
A	Width (min.)	36 ⁵ / ₈ " (93 cm)
B	Minimum width from side of refrigerator to fixed wall – door open 90°	3 ³ / ₈ " (8.6 cm)
	Minimum width from side of refrigerator to fixed wall – door open approx. 125°	11" (28 cm)
C	Width of recommended electrical/water installation area	34" (86.4 cm)
D	Height (min.)	71 ⁷ / ₈ " (182.6 cm)
E	Height of recommended electrical installation area	10" (25.4 cm) Min. 24" (61 cm) Max.
F	Height of recommended water installation area	10" (25.4 cm)
G	Depth of recommended water installation area	1" (2.5 cm)
H	Water line location – distance from side	24 ⁵ / ₈ " (62.5 cm)
I	Water line location – distance from bottom	9 ³ / ₈ " (23.8 cm)
e	Recommended electrical connection location	
w	Recommended water connection location	

Because Whirlpool Corporation policy includes a continuous commitment to improve our products, we reserve the right to change materials and specifications without notice.

Dimensions are for planning purposes only. For complete details, see Installation Instructions packed with product. Specifications subject to change without notice.

ELECTRICAL REQUIREMENTS

⚠ WARNING

Electrical Shock Hazard Plug into a grounded 3 prong outlet. Do not remove ground prong. Do not use an adapter. Do not use an extension cord. Failure to follow these instructions can result in death, fire, or electrical shock.

A 115 V, 60 Hz, AC only 15 A or 20 A fused, grounded electrical supply is required. It is recommended that a separate circuit serving only your refrigerator and approved accessories be provided. Use an outlet that cannot be turned off by a switch. Do not use an extension cord.

WATER PRESSURE REQUIREMENTS


A cold water supply with water pressure of between 35 psi and 120 psi (241 kPa and 827 kPa) is required to operate the water dispenser and ice maker. If you have questions about your water pressure, call a licensed, qualified plumber.

Reverse Osmosis Water Supply

IMPORTANT: The pressure of the water coming out of a reverse osmosis system going to the water inlet valve of the refrigerator needs to be between 35 psi and 120 psi (241 kPa and 827 kPa).

If a reverse osmosis water filtration system is connected to the cold water supply, the water pressure to the reverse osmosis system needs to be a minimum of 40 psi to 60 psi (276 kPa to 414 kPa).

LOCATION REQUIREMENTS

⚠ WARNING

Explosion Hazard Keep flammable materials and vapors, such as gasoline, away from refrigerator. Failure to do so can result in death, explosion, or fire.

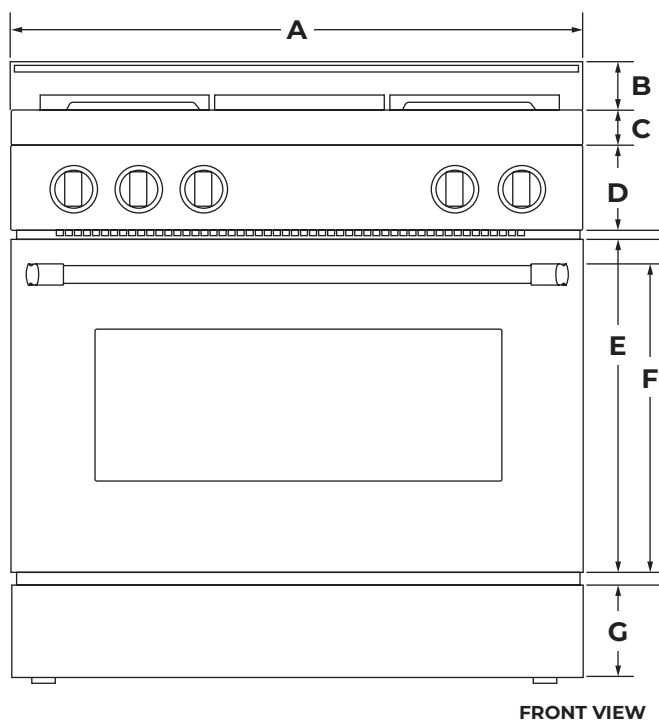
To ensure proper ventilation for your refrigerator, allow for 1/2" (1.25 cm) of space on each side and at the top. Allow for 1" (2.54 cm) of space behind the refrigerator.

JENNAIR® DIMENSIONS

GAS RANGES

PRODUCT

	30" GAS RANGE JGRP430H	36" GAS RANGE JGRP436H
Overall Width (A)	29-7/8" (75.9 cm)	35-7/8" (91.1 cm)
Rear Vent Height (B)	3" (7.6 cm)	3" (7.6 cm)
Bullnose Height (C)	2-1/8" (5.4 cm)	2-1/8" (5.4 cm)
Control Panel Height (D)	7-1/2" (19.1 cm)	7-1/2" (19.1 cm)
Door Height (E)	20-11/16" (52.6 cm)	20-11/16" (52.6 cm)
Door Bottom to Handle Top: RISE™ (F)	20" (50.8 cm)	20" (50.8 cm)
Door Bottom to Handle Top: NOIR™ (F)	20-5/8" (52.4 cm)	20-5/8" (52.4 cm)
Toe-Kick Height (G)	6-11/16" (17 cm)	6-11/16" (17 cm)



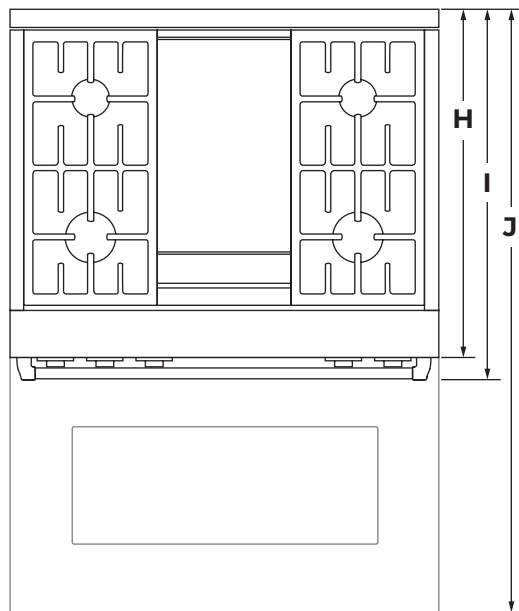
IMPORTANT: Dimensional specifications are provided for planning purposes only. Do not make any cutouts based on this information. Refer to the Installation Guide before selecting cabinetry, verifying electrical/gas connections, making cutouts or beginning installation. All JennAir® appliances are appropriately UL, CUL or CSA approved.

JENNAIR® DIMENSIONS

GAS RANGES

PRODUCT

	30" GAS RANGE JGRP430H	36" GAS RANGE JGRP436H
Depth with Control Panel Overhang (H)	27-11/16" (70.3 cm)	27-11/16" (70.3 cm)
Depth with Handle: RISE™ (I)	29-13/16" (75.7 cm)	29-13/16" (75.7 cm)
Depth with Handle: NOIR™ (I)	29-5/16" (74.5 cm)	29-5/16" (74.5 cm)
Depth with Door Fully Open (J)	46-1/2" (118.1 cm)	46-1/2" (118.1 cm)



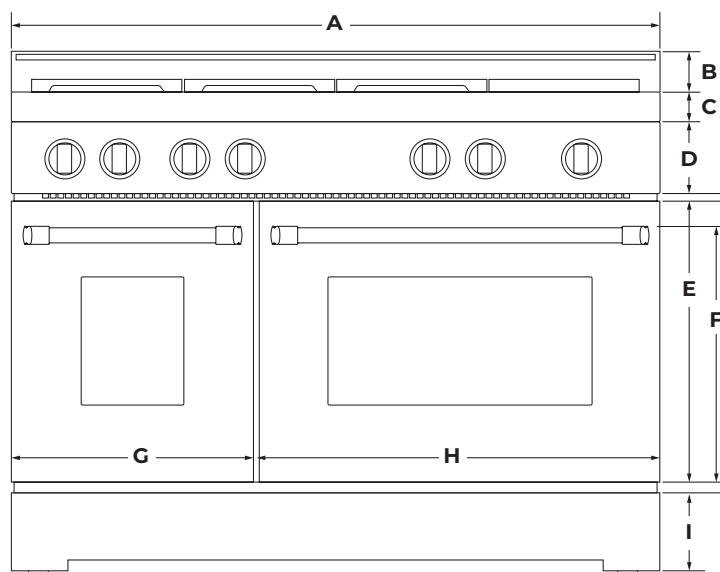
TOP VIEW

JENNAIR® DIMENSIONS

GAS RANGES

PRODUCT

	48" GAS RANGE JGRP548H
Overall Width (A)	47-7/8" (121.6 cm)
Rear Vent Height (B)	3" (7.6 cm)
Bullnose Height (C)	2-1/8" (5.4 cm)
Control Panel Height (D)	7-1/2" (19.1 cm)
Door Heights (E)	20-11/16" (52.5 cm)
Door Bottom to Handle Tops: RISE™ (F)	20" (50.8 cm)
Door Bottom to Handle Tops: NOIR™ (F)	20-5/8" (52.4 cm)
Secondary Oven Door Width (G)	17-3/4" (45.1 cm)
Main Oven Door Width (H)	29-5/8" (75.2 cm)
Toe-Kick Height (I)	6-11/16" (17 cm)



FRONT VIEW



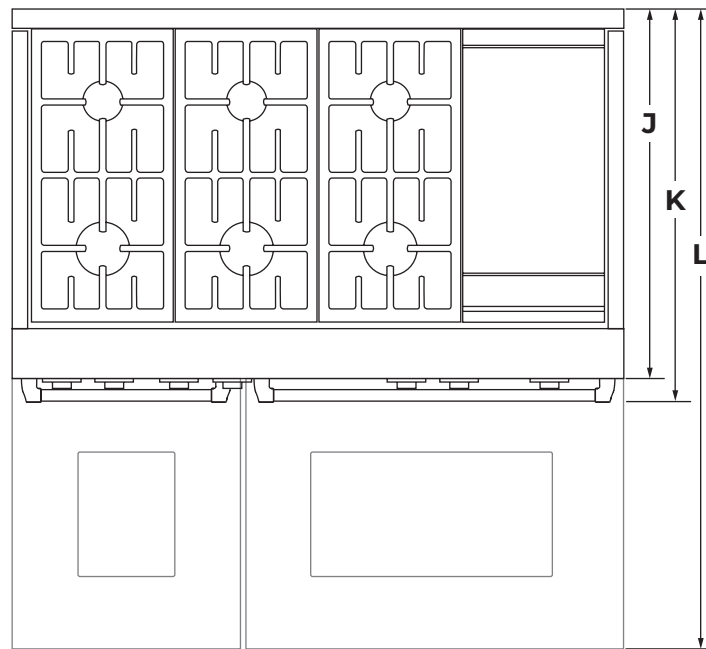
IMPORTANT: Dimensional specifications are provided for planning purposes only. Do not make any cutouts based on this information. Refer to the Installation Guide before selecting cabinetry, verifying electrical/gas connections, making cutouts or beginning installation. All JennAir® appliances are appropriately UL, CUL or CSA approved.

JENNAIR® DIMENSIONS

GAS RANGES

PRODUCT

	48" GAS RANGE JGRP548H
Depth with Control Panel Overhang (J)	27-11/16" (70.3 cm)
Depth with Handles: RISE™ (K)	29-13/16" (75.7 cm)
Depth with Handles: NOIR™ (K)	29-5/16" (74.5 cm)
Depth with Doors Fully Open (L)	46-1/2" (118.1 cm)



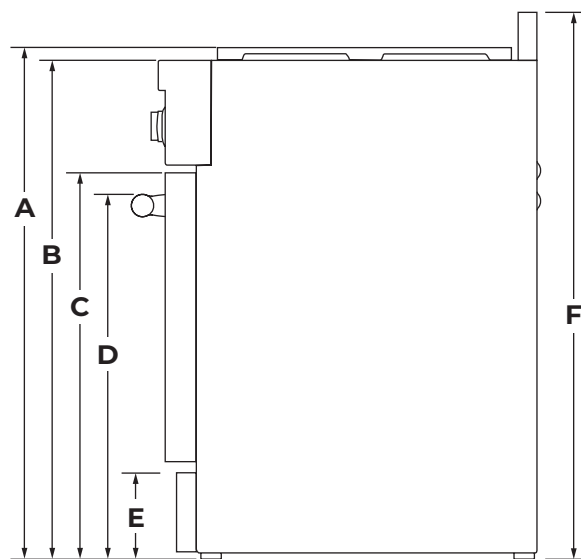
TOP VIEW

JENNAIR® DIMENSIONS

GAS RANGES

PRODUCT

	30" GAS RANGE JGRP430H	36" GAS RANGE JGRP436H	48" GAS RANGE JGRP548H
Grates Top Height (A)	37-5/16" (94.8 cm)	37-5/16" (94.8 cm)	37-5/16" (94.8 cm)
Cooking Surface Top Height (B)	36" (91.4 cm)	36" (91.4 cm)	36" (91.4 cm)
Door Top Height (C)	27-13/16" (70.6 cm)	27-13/16" (70.6 cm)	27-13/16" (70.6 cm)
Handle Top Height: RISE™ (D)	27" (68.6 cm)	27" (68.6 cm)	27" (68.6 cm)
Handle Top Height: NOIR™ (D)	27-5/8" (70.2 cm)	27-5/8" (70.2 cm)	27-5/8" (70.2 cm)
Toe-Kick Top Height (E)	6-11/16" (17 cm)	6-11/16" (17 cm)	6-11/16" (17 cm)
Rear Vent Height (F)	38-3/4" (98.4 cm)	38-3/4" (98.4 cm)	38-3/4" (98.4 cm)



SIDE VIEW



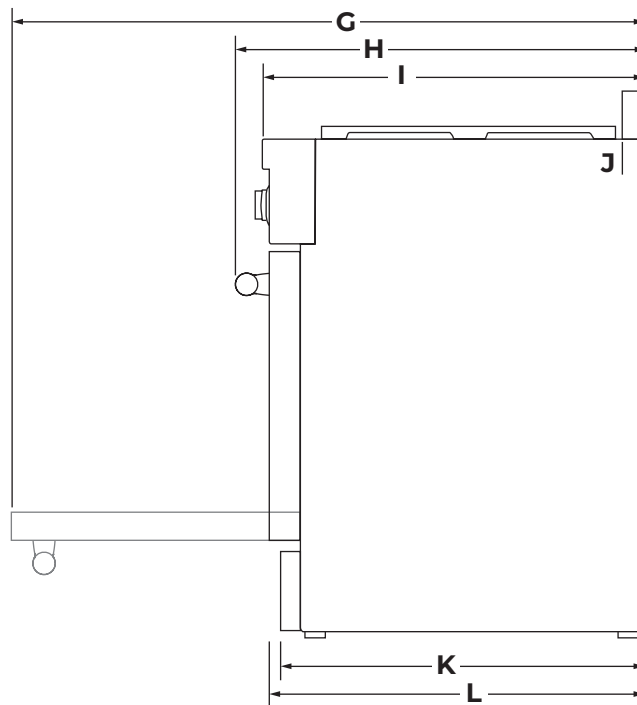
IMPORTANT: Minimum height dimensions are at the lowest point of the height adjustment range. When the leveling legs are fully extended, all heights have 1-3/4" (4.4 cm) of added height.

JENNAIR® DIMENSIONS

GAS RANGES

PRODUCT

	30" GAS RANGE JGRP430H	36" GAS RANGE JGRP436H	48" GAS RANGE JGRP548H
Depth with Door Fully Open (G)	46-1/2" (118.1 cm)	46-1/2" (118.1 cm)	46-1/2" (118.1 cm)
Depth with Handle: RISE™ (H)	29-13/16" (75.7 cm)	29-13/16" (75.7 cm)	29-13/16" (75.7 cm)
Depth with Handle: NOIR™ (H)	29-5/16" (74.5 cm)	29-5/16" (74.5 cm)	29-5/16" (74.5 cm)
Depth with Control Panel Overhang (I)	27-11/16" (70.3 cm)	27-11/16" (70.3 cm)	27-11/16" (70.3 cm)
Rear Vent Depth (J)	2-1/4" (5.7 cm)	2-1/4" (5.7 cm)	2-1/4" (5.7 cm)
Depth to Toe-Kick with Door (K)	26-3/8" (67 cm)	26-3/8" (67 cm)	26-3/8" (67 cm)
Depth with RISE™ Door (L)	27-1/4" (69.2 cm)	27-1/4" (69.2 cm)	27-1/4" (69.2 cm)
Depth with NOIR™ Door (L)	27-1/4" (69.2 cm)	27-1/4" (69.2 cm)	27-1/4" (69.2 cm)



SIDE VIEW

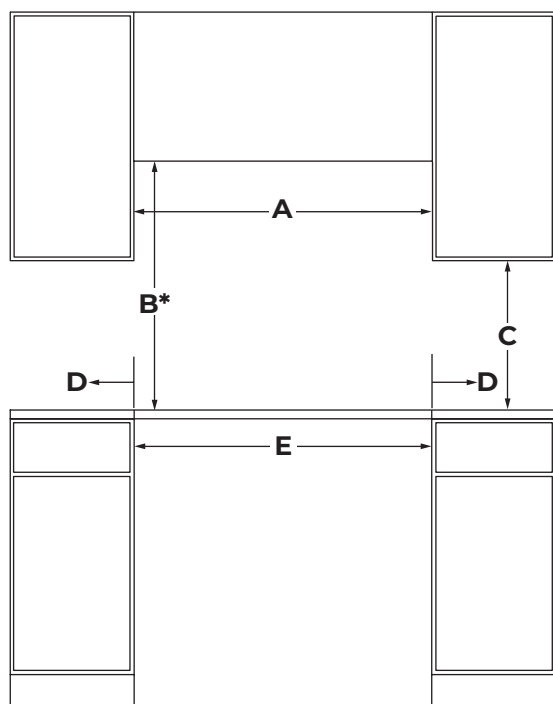
JENNAIR® DIMENSIONS

GAS RANGES

OPENING AND CLEARANCE

	30" GAS RANGE JGRP430H	36" GAS RANGE JGRP436H	48" GAS RANGE JGRP548H
Combustible Area Above Cooking Surface Width (A)	30" (76.2 cm) min.	36" (91.4 cm) min.	48" (121.9 cm) min.
Bottom of Cabinet Height Above Cooking Surface (B)*	42" (106.7 cm) min.	58" (147.3 cm) min.	58" (147.3 cm) min.
Bottom of Cabinet Height Above Countertop (C)	18" (45.7 cm) min.	18" (45.7 cm) min.	18" (45.7 cm) min.
Distance to Fixed Wall or Combustible Material (D)	12" (30.5 cm) min.	12" (30.5 cm) min.	12" (30.5 cm) min.
Opening Width (E)	30" (76.2 cm) min.	36" (91.4 cm) min.	48" (121.9 cm) min.

*If installing a hood or hood liner above the range, follow the hood or hood liner instructions for dimensional clearances above the cooking surface.



FRONT VIEW

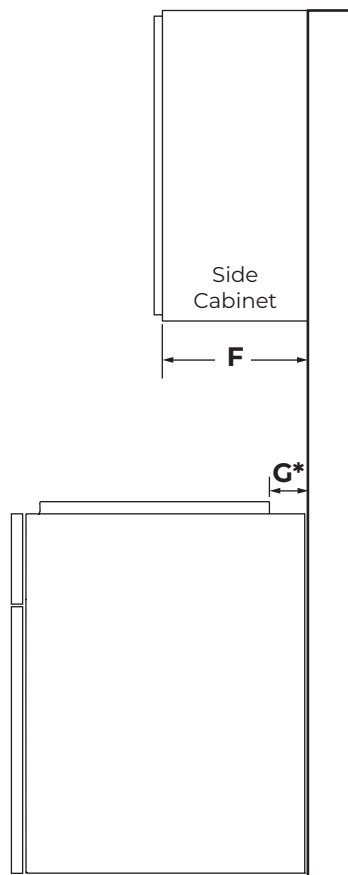
JENNAIR® DIMENSIONS

GAS RANGES

OPENING AND CLEARANCE

	30" GAS RANGE JGRP430H	36" GAS RANGE JGRP436H	48" GAS RANGE JGRP548H
Upper Cabinet Depth (F)	13" (33 cm) max.	13" (33 cm) max.	13" (33 cm) max.
Distance to Fixed Wall or Combustible Material (G)*	6" (15.2 cm)	6" (15.2 cm)	6" (15.2 cm)

*If the back wall is constructed of a combustible material and a backsplash is not installed, a 6" (15.2 cm) minimum clearance is required.



SIDE VIEW

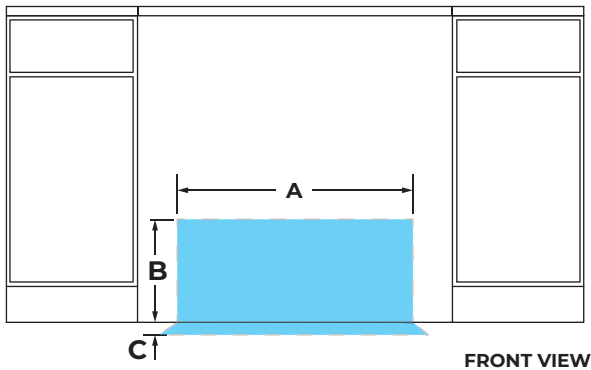
JENNAIR® DIMENSIONS

GAS RANGES

ELECTRICAL REQUIREMENTS

	30" GAS RANGE JGRP430H	36" GAS RANGE JGRP436H	48" GAS RANGE JGRP548H
Electrical Zone Width (A)	22" (55.9 cm)	28" (71.1 cm)	40" (101.6 cm)
Electrical Zone Height (B)	15" (38.1 cm)	15" (38.1 cm)	15" (38.1 cm)
Electrical Zone Depth (C)	5" (12.7 cm)	5" (12.7 cm)	5" (12.7 cm)

RECOMMENDED ELECTRICAL ZONE

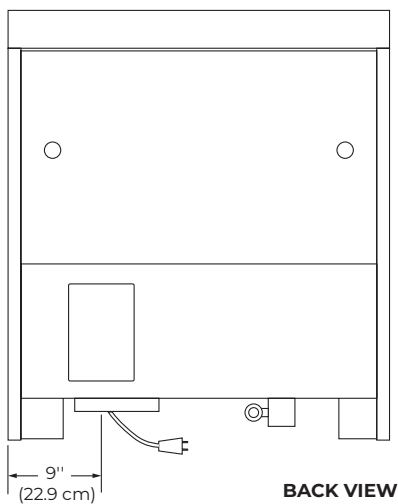


ELECTRIC REQUIREMENTS CHECKLIST

A 120 volt, 60 Hz, AC-only 15-amp, fused grounded circuit is required.

A dedicated circuit is recommended.

WIDTH TO ELECTRICAL CONDUIT



IF YOU HAVE QUESTIONS ABOUT YOUR ELECTRICAL SUPPLY, CALL A LICENSED, QUALIFIED ELECTRICIAN.

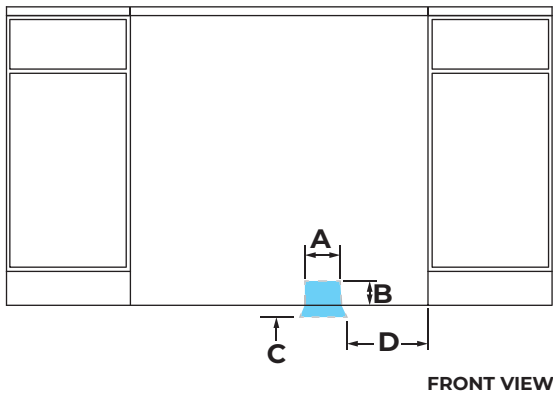
JENNAIR® DIMENSIONS

GAS RANGES

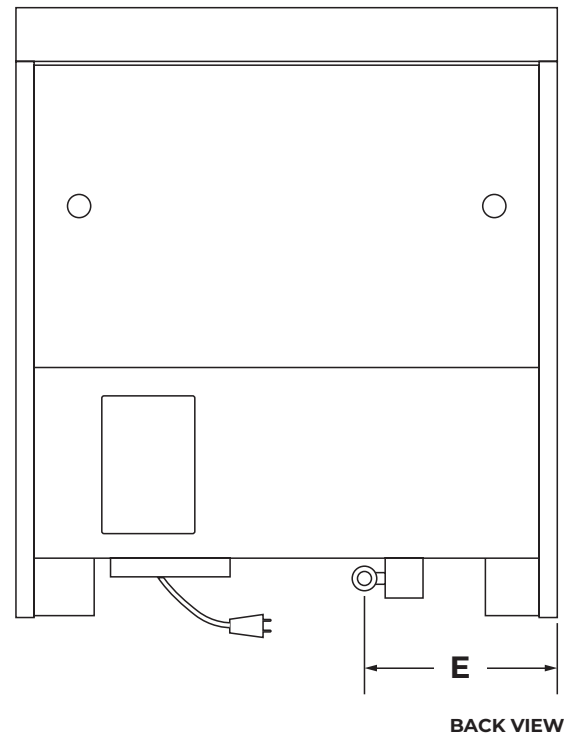
GAS REQUIREMENTS

	30" GAS RANGE JGRP430H	36" GAS RANGE JGRP436H	48" GAS RANGE JGRP548H
Gas Opening Width (A)	6" (15.2 cm)	14" (35.5 cm)	24" (61 cm)
Gas Opening Height (B)	3" (7.6 cm)	3" (7.6 cm)	3" (7.6 cm)
Gas Opening Depth (C)	5" (12.7 cm)	5" (12.7 cm)	5" (12.7 cm)
Distance from Side Cabinet to Gas Opening (D)	6" (15.2 cm)	6" (15.2 cm)	6" (15.2 cm)
Width to Gas Inlet (E)	12-3/4" (32.4 cm)	12-3/4" (32.4 cm)	12-3/4" (32.4 cm)

RECOMMENDED GAS ZONE



WIDTH TO GAS INLET



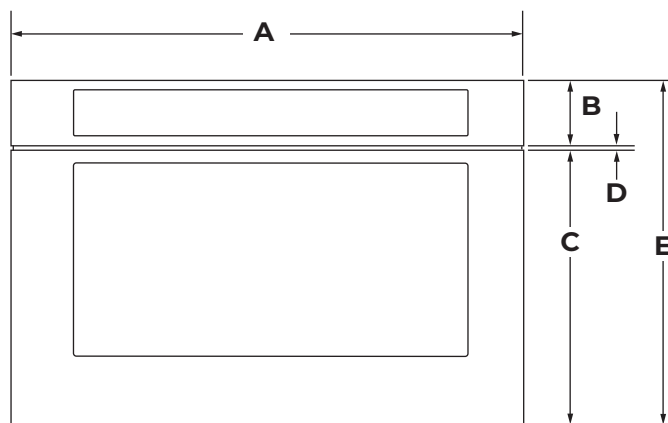
IF YOU HAVE QUESTIONS ABOUT YOUR GAS SUPPLY, CALL A LICENSED, QUALIFIED SERVICE TECHNICIAN.

JENNAIR® DIMENSIONS

MICROWAVE DRAWERS

PRODUCT

	24" STAINLESS STEEL JMDFS24GS	24" NOIR™ JMDFS24HM	30" RISE™ JMDFS30HL	30" NOIR™ JMDFS30HM
Overall Width (A)	23-7/8" (60.6 cm)	23-7/8" (60.6 cm)	29-15/16" (76 cm)	29-15/16" (76 cm)
Control Panel Height (B)	3" (7.6 cm)	3" (7.6 cm)	3" (7.6 cm)	3" (7.6 cm)
Drawer Height (C)	12-3/4" (32.4 cm)	12-11/16" (32.3 cm)	12-3/4" (32.4 cm)	12-11/16" (32.3 cm)
Control Panel to Drawer Space (D)	1/4" (0.6 cm)	1/4" (0.6 cm)	1/4" (0.6 cm)	1/4" (0.6 cm)
Overall Height (E)	16" (40.6 cm)	16" (40.6 cm)	16" (40.6 cm)	16" (40.6 cm)



FRONT VIEW

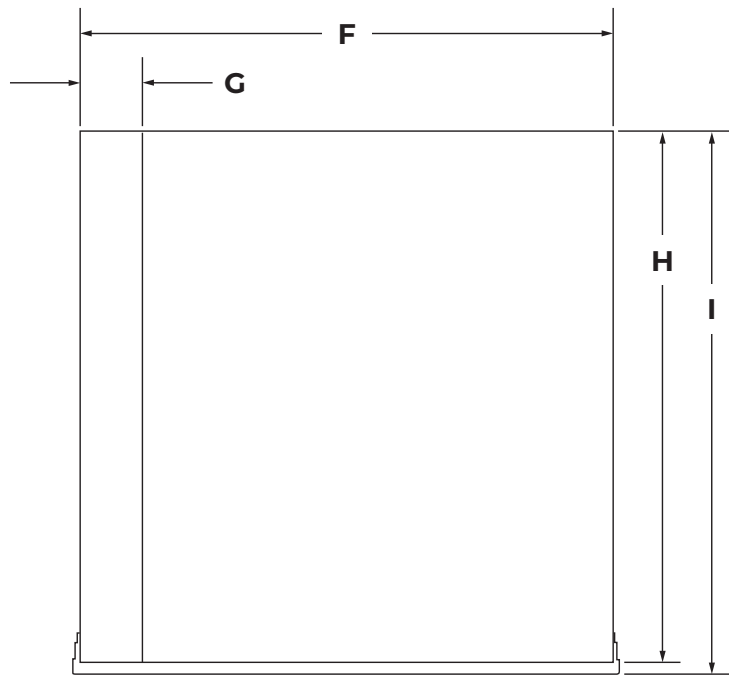
IMPORTANT: Dimensional specifications are provided for planning purposes only. Do not make any cutouts based on this information. Refer to the Installation Guide before selecting cabinetry, verifying electrical/gas connections, making cutouts or beginning installation. All JennAir® appliances are appropriately UL, CUL or CSA approved.

JENNAIR® DIMENSIONS

MICROWAVE DRAWERS

PRODUCT

	24" STAINLESS STEEL JMDFS24GS	24" NOIR™ JMDFS24HM	30" RISE™ JMDFS30HL	30" NOIR™ JMDFS30HM
Recessed Width (F)	21-5/8" (54.9 cm)	21-5/8" (54.9 cm)	21-5/8" (54.9 cm)	21-5/8" (54.9 cm)
Conduit Channel Width (G)	4-11/16" (11.9 cm)	4-11/16" (11.9 cm)	4-11/16" (11.9 cm)	4-11/16" (11.9 cm)
Depth without Drawer (H)	21-7/8" (55.6 cm)	21-7/8" (55.6 cm)	21-7/8" (55.6 cm)	21-7/8" (55.6 cm)
Depth with Drawer (I)	23-1/2" (59.7 cm)	23-11/16" (60.1 cm)	23-9/16" (58.9 cm)	23-11/16" (60.1 cm)



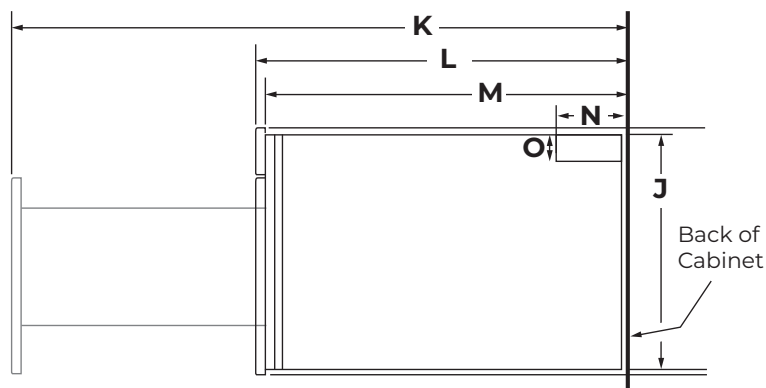
TOP VIEW

JENNAIR® DIMENSIONS

MICROWAVE DRAWERS

PRODUCT

	24" STAINLESS STEEL JMDFS24GS	24" NOIR™ JMDFS24HM	30" RISE™ JMDFS30HL	30" NOIR™ JMDFS30HM
Recessed Height (J)	14-5/8" (37.1 cm)	14-5/8" (37.1 cm)	14-5/8" (37.1 cm)	14-5/8" (37.1 cm)
Drawer Open Depth (K) (Flush Receptacle)	38-5/16" (97.3 cm)	38-1/2" (97.8 cm)	38-3/8" (97.4 cm)	38-1/2" (97.8 cm)
Drawer Open Depth (K) (Non-flush Receptacle)	42-13/16" (108.7 cm)	43" (109.2 cm)	42-13/16" (108.8 cm)	43" (109.2 cm)
Depth with Drawer (L) (Flush Receptacle)	23-5/16" (59.2 cm)	23-1/2" (59.7 cm)	23-3/8" (59.3 cm)	23-1/2" (59.7 cm)
Depth with Drawer (L) (Non-flush Receptacle)	27-13/16" (70.6 cm)	28" (71.1 cm)	27-13/16" (70.7 cm)	28" (71.1 cm)
Depth without Drawer (M) (Flush Receptacle)	21-7/8" (55.6 cm)	21-7/8" (55.6 cm)	21-7/8" (55.6 cm)	21-7/8" (55.6 cm)
Depth without Drawer (M) (Non-flush Receptacle)	26-3/8" (67 cm)	26-3/8" (67 cm)	26-3/8" (67 cm)	26-3/8" (67 cm)
Conduit Channel Length (N)	4" (10.2 cm)	4" (10.2 cm)	4" (10.2 cm)	4" (10.2 cm)
Conduit Channel Height (O)	1-3/4" (4.4 cm)	1-3/4" (4.4 cm)	1-3/4" (4.4 cm)	1-3/4" (4.4 cm)



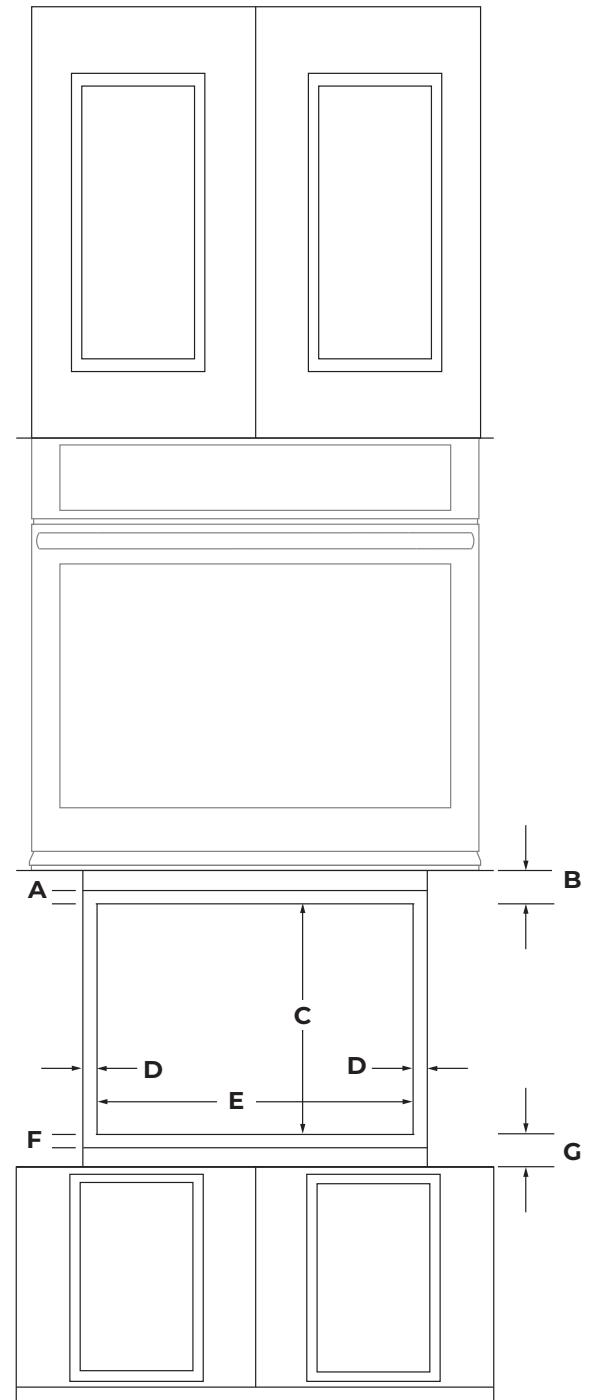
SIDE VIEW

JENNAIR® DIMENSIONS

MICROWAVE DRAWERS

STANDARD OPENING AND CLEARANCE

	24" STAINLESS STEEL JMDFS24GS	24" NOIR™ JMDFS24HM
Top Overlap Allowance (A)	9/16" (1.4 cm)	9/16" (1.4 cm)
Cutout Top to Oven or Countertop Bottom (B)	2" (5.1 cm) min.	2" (5.1 cm) min.
Cutout Height (C)	15-9/16" (39.5 cm)	15-9/16" (39.5 cm)
Side Overlap Allowance (D)	7/8" (2.2 cm)	7/8" (2.2 cm)
Cutout Width (E)	22-1/8" (56.2 cm)	22-1/8" (56.2 cm)
Bottom Overlap Allowance (F)	3/4" (1.9 cm)	3/4" (1.9 cm)
Cabinet Bottom to Cabinet Door Top (G)	2" (5.1 cm) min.	2" (5.1 cm) min.



FRONT VIEW

LOCATION REQUIREMENTS CHECKLIST

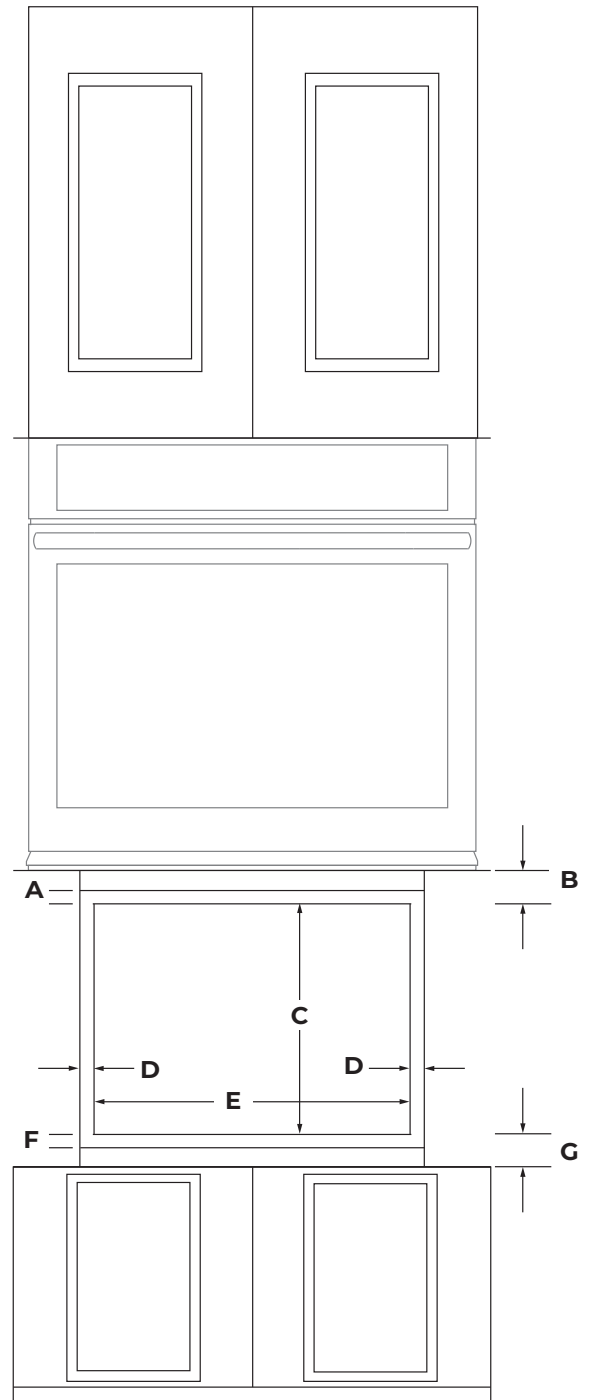
Support structure must be able to support 100 lb. (45.4 kg), including microwave oven and contents.

JENNAIR® DIMENSIONS

MICROWAVE DRAWERS

STANDARD OPENING AND CLEARANCE

	30" RISE™ JMDFS30HL	30" NOIR™ JMDFS30HM
Top Overlap Allowance (A)	9/16" (1.4 cm)	9/16" (1.4 cm)
Cutout Top to Oven or Countertop Bottom (B)	2" (5.1 cm) min.	2" (5.1 cm) min.
Cutout Height (C)	15-9/16" (39.5 cm)	15-9/16" (39.5 cm)
Side Overlap Allowance (D)	11/16" (1.8 cm)	11/16" (1.8 cm)
Cutout Width (E)	22-1/8"-28-3/8" (56.2-72 cm)	22-1/8"-28-3/8" (56.2-72 cm)
Bottom Overlap Allowance (F)	3/4" (1.9 cm) min.	3/4" (1.9 cm) min.
Cabinet Bottom to Cabinet Door Top (G)	2" (5.1 cm) min.	2" (5.1 cm) min.



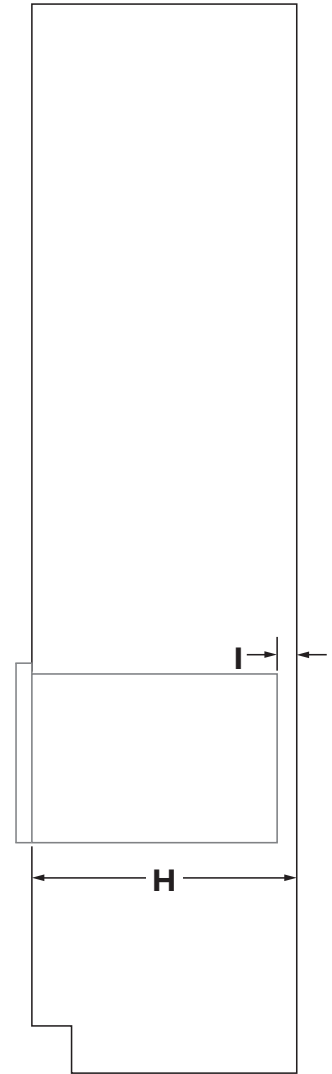
FRONT VIEW

JENNAIR® DIMENSIONS

MICROWAVE DRAWERS

STANDARD OPENING AND CLEARANCE

	24" STAINLESS STEEL JMDFS24GS	24" NOIR™ JMDFS24HM	30" RISE™ JMDFS30HL	30" NOIR™ JMDFS30HM
Cutout Depth (H) (Flush Receptacle)	23-1/2" (59.7 cm) min.	23-11/16" (60.2 cm) min.	23-9/16" (59.8 cm) min.	23-11/16" (60.2 cm) min.
Cutout Depth (H) (Non-flush Receptacle)	28" (71.1 cm) min.	28-3/16" (71.6 cm) min.	28-1/16" (71.2 cm) min.	28-3/16" (71.6 cm) min.
Microwave Back to Cabinet Back Depth (I)	3-1/2" (8.9 cm)	3-1/2" (8.9 cm)	3-1/2" (8.9 cm)	3-1/2" (8.9 cm)



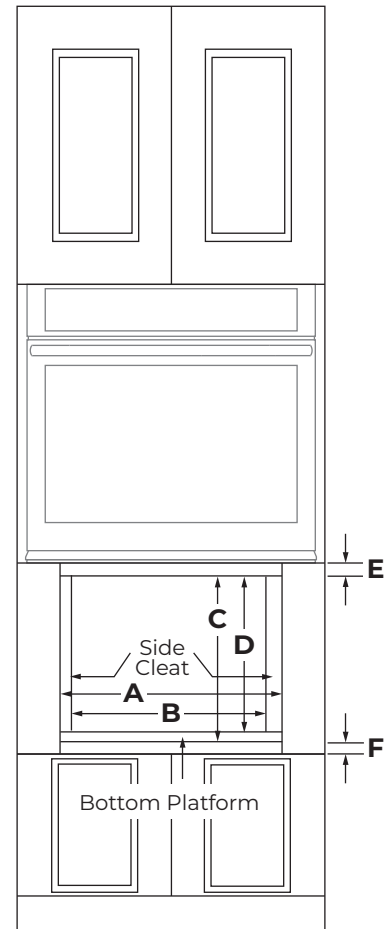
SIDE VIEW

JENNAIR® DIMENSIONS

MICROWAVE DRAWERS

FLUSH OPENING AND CLEARANCE

	24" STAINLESS STEEL JMDFS24GS	24" NOIR™ JMDFS24HM
Cutout Width (A)	24-3/16"-24-1/2" (61.4-62.2 cm) min.	24-3/16"-24-1/2" (61.4-62.2 cm) min.
Width Between Side Cleats (B)	22-1/8" (56.2 cm)	22-1/8" (56.2 cm)
Cutout Height (C)	17" (43.2 cm)	17" (43.2 cm)
Platform to Top of Cutout Height (D)	16-1/8" (41 cm) min.	16-1/8" (41 cm) min.
Cutout Top to Oven or Countertop Bottom (E)	2" (5.1 cm)	2" (5.1 cm)
Cabinet Bottom to Cabinet Door Top (F)	2" (5.1 cm)	2" (5.1 cm)



LOCATION REQUIREMENTS CHECKLIST

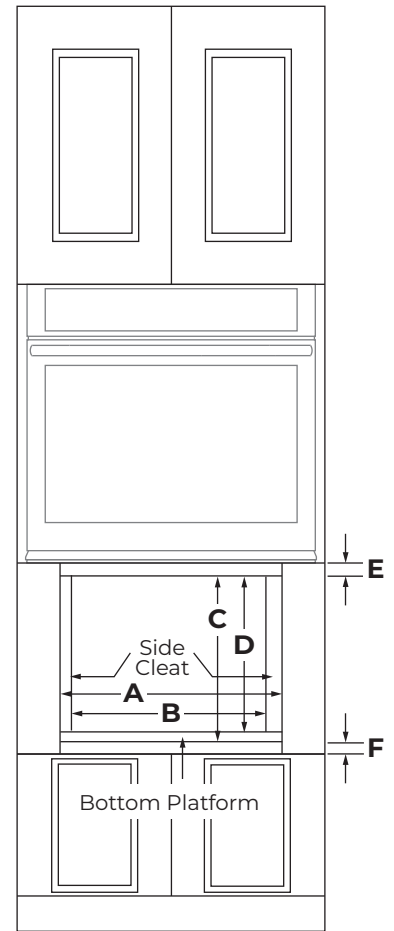
Support structure must be able to support 100 lb. (45.4 kg), including microwave oven and contents.

JENNAIR® DIMENSIONS

MICROWAVE DRAWERS

FLUSH OPENING AND CLEARANCE

	30" RISE™ JMDFS30HL	30" NOIR™ JMDFS30HM
Cutout Width (A)	30-1/4"-30-9/16" (76.8-77.6 cm) min.	30-1/4"-30-9/16" (76.8-77.6 cm) min.
Width Between Side Cleats (B)	28-7/16" (72.2 cm)	28-7/16" (72.2 cm)
Cutout Height (C)	17" (43.2 cm)	17" (43.2 cm)
Platform to Top of Cutout Height (D)	16-1/8" (41 cm) min.	16-1/8" (41 cm) min.
Cutout Top to Oven or Countertop Bottom (E)	2" (5.1 cm)	2" (5.1 cm)
Cabinet Bottom to Cabinet Door Top (F)	2" (5.1 cm)	2" (5.1 cm)



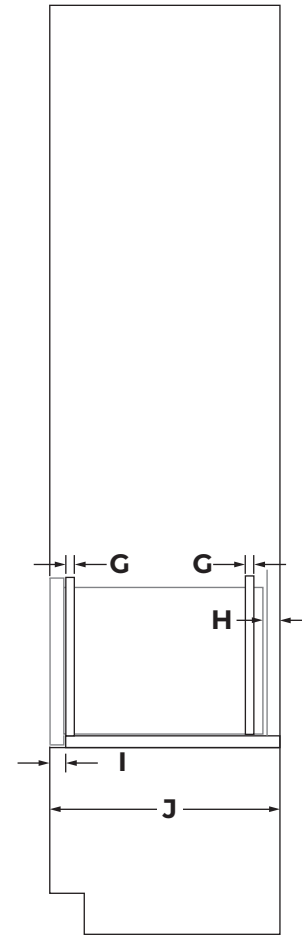
FRONT VIEW

JENNAIR® DIMENSIONS

MICROWAVE DRAWERS

FLUSH OPENING AND CLEARANCE

	24" STAINLESS STEEL JMDFS24GS	24" NOIR™ JMDFS24HM
Side Cleat Depth (G)	1-9/16" (3.9cm)	1-9/16" (3.9cm)
Microwave Back to Cabinet Back Depth (H)	3-1/2" (8.9 cm)	3-1/2" (8.9 cm)
Cabinet Face to Front of Platform Depth (I)	1-7/8" (4.8 cm)	2-1/16" (5.3 cm)
Cutout Depth (J) (Flush Receptacle)	23-1/2" (59.7 cm) min.	23-11/16" (60.2 cm) min.
Cutout Depth (J) (Non-flush Receptacle)	28" (71.1 cm)	28-3/16" (71.6 cm)



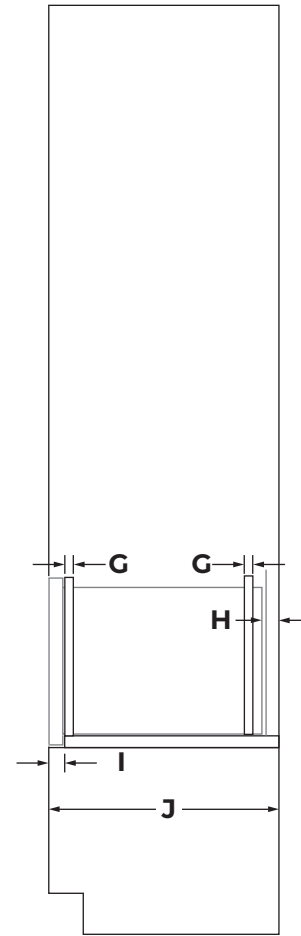
SIDE VIEW

JENNAIR® DIMENSIONS

MICROWAVE DRAWERS

FLUSH OPENING AND CLEARANCE

	30" RISE™ JMDFS30HL	30" NOIR™ JMDFS30HM
Side Cleat Depth (G)	1/8" (0.39 cm)	1/8" (0.39 cm)
Microwave Back to Cabinet Back Depth (H)	3-1/2" (8.9 cm)	3-1/2" (8.9 cm)
Cabinet Face to Front of Platform Depth (I)	1-15/16" (4.9 cm)	2-1/16" (5.3 cm)
Cutout Depth (J) (Flush Receptacle)	23-9/16" (59.8 cm) min.	23-11/16" (60.2 cm) min.
Cutout Depth (J) (Non-flush Receptacle)	28-1/16" (71.2 cm)	28-3/16" (71.6 cm)



SIDE VIEW

JENNAIR® DIMENSIONS

MICROWAVE DRAWERS

ELECTRICAL REQUIREMENTS

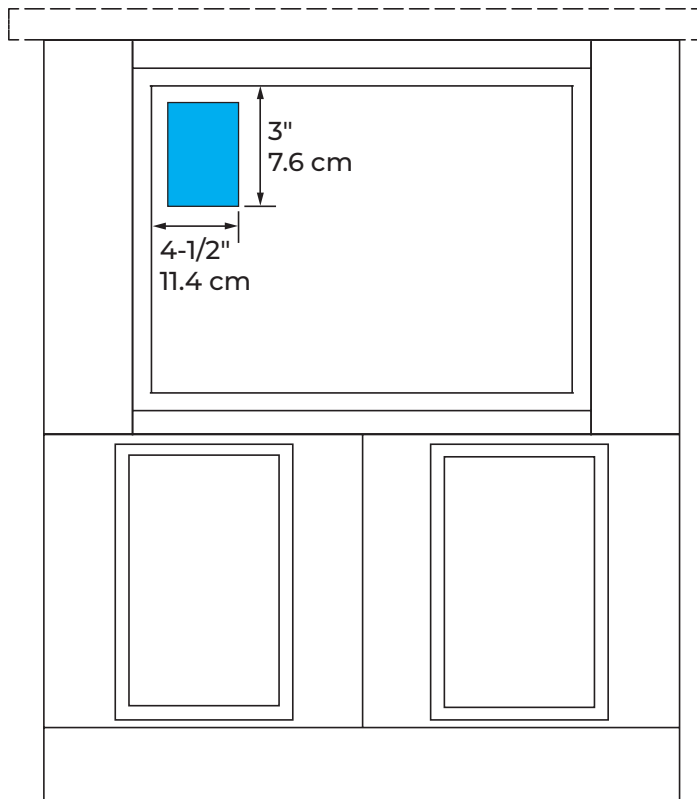
ELECTRIC REQUIREMENTS CHECKLIST

120 volt, 60 Hz, AC only, 15- or 20-amp fused, grounded circuit is required.

A time-delay fuse or dedicated circuit is recommended.

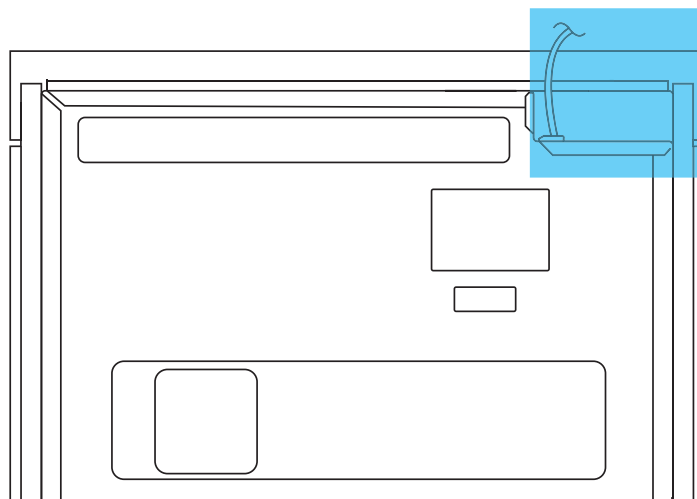
Do not use an extension cord.

RECOMMENDED ELECTRICAL ZONE



POWER SUPPLY LOCATION

FRONT VIEW



BACK VIEW



IF YOU HAVE QUESTIONS ABOUT YOUR ELECTRICAL SUPPLY, CALL A LICENSED, QUALIFIED ELECTRICIAN.